



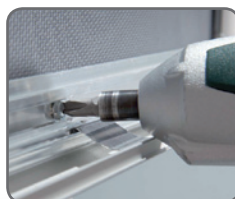
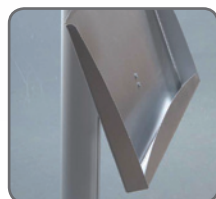
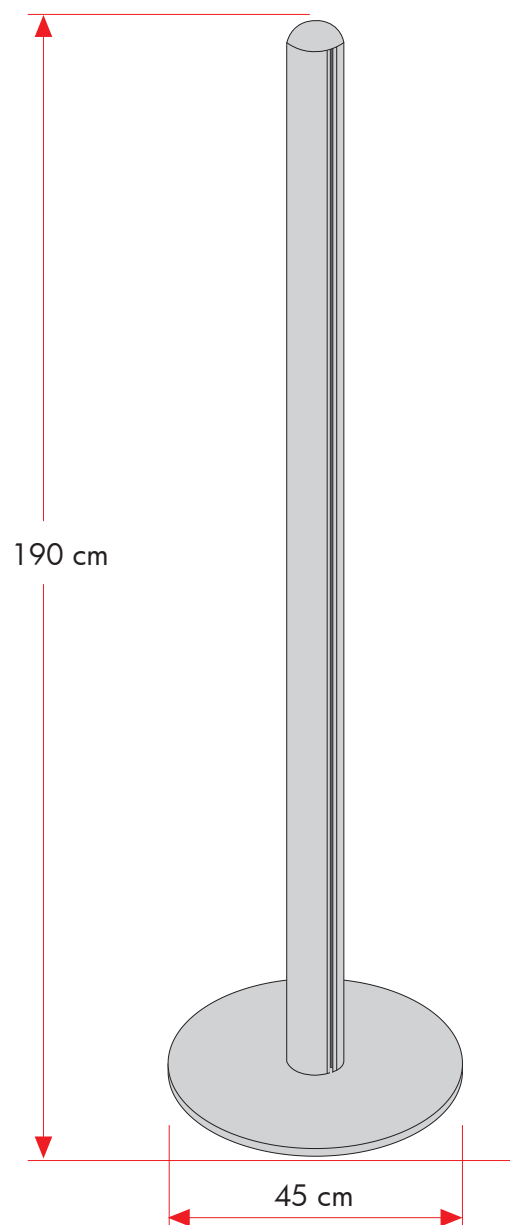
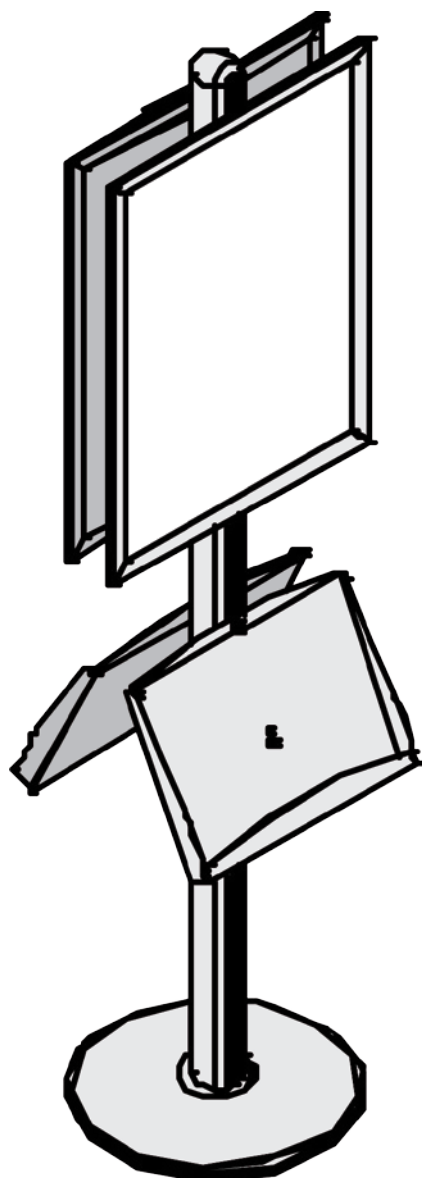
TECHNICAL GUIDE



GB Doublesided aluminium stand with 2 pcs 25 mm Alu Snap-Frame and 2 pcs. 2 x A4 brochure holders made of steel or acrylic. For indoor use.

DE Doppelseitiger Aluminium Ständer mit 2 Stück 25 mm Alu Snap-Frames sowie 2 Stück 2 x A4 Prospekthalter aus Stahl oder Akryl. Für den Innenbereich.

DK Dobbelt-sided, eloxeret aluminium stander monteret med 2 stk. 25 mm alu Snap-Frames samt 2 stk. 2 x A4 brochure-holder. Til indendørs brug.



Model	Art.no.	Poster size	Colour	Total W x H	Foot	Package Size	- weight	Pallet size	- quantity
902	2920	50 x 70 cm	Alu	52,9 x 190 cm	45 cm	8x195x9 + 47x47x5 + 56x76x15 cm	17 kg	80 x 120 x 220 cm	30 pcs.
902	2921	60 x 85 cm	Alu	62,3 x 190 cm	45 cm	8x195x9 + 47x 47x5 + 66x91x15 cm	18 kg	80 x 120 x 220 cm	30 pcs.
902	2922	70 x 100 cm	Alu	72,9 x 190 cm	45 cm	8x195x9 + 47x47x5 + 76x106x15 cm	19 kg	80 x 120 x 220 cm	30 pcs.
902	2923	50 x 70 cm	Acryl	52,9 x 190 cm	45 cm	8x195x9 + 47x47x5 + 56x76x15 cm	16 kg	80 x 120 x 220 cm	30 pcs.
902	2924	60 x 85 cm	Acryl	62,3 x 190 cm	45 cm	8x195x9 + 47x47x 5 + 66x91x15 cm	17 kg	80 x 120 x 220 cm	30 pcs.
902	2925	70 x 100 cm	Acryl	72,9 x 190 cm	45 cm	8x195x9 + 47x47x5 + 76x106x15 cm	18 kg	80 x 120 x 220 cm	30 pcs.