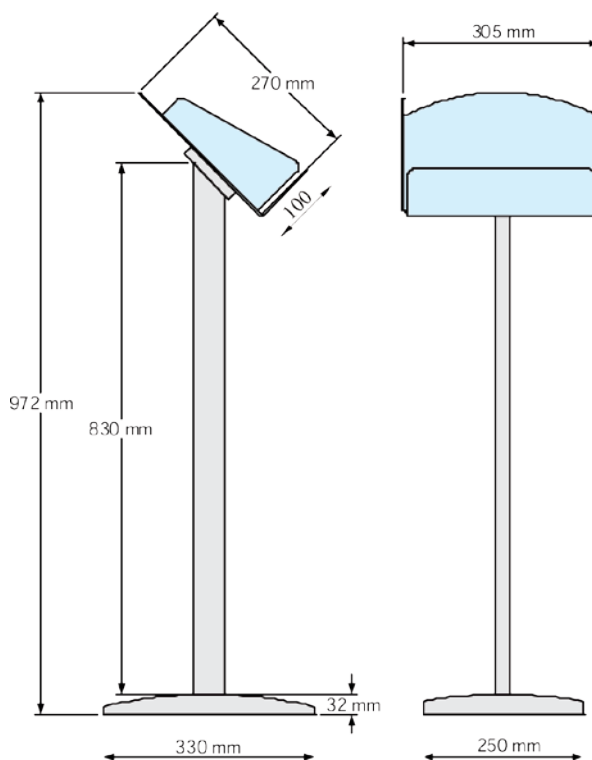
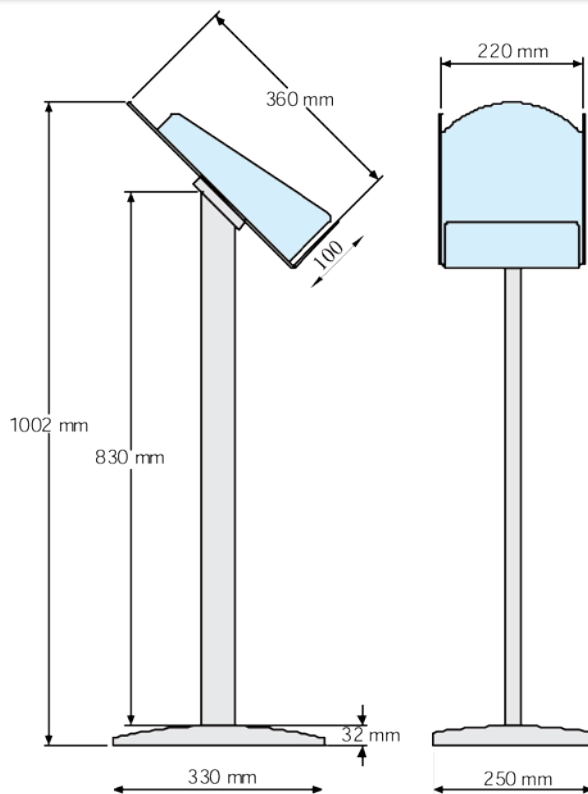


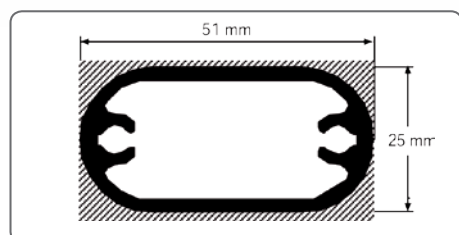
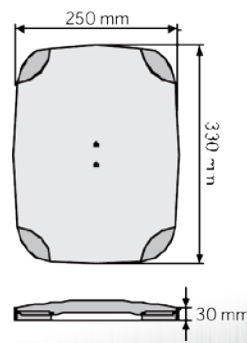
800 | Expo Brochure Stand A4



TECHNICAL GUIDE



Decorative base powdercoated 9006
1,62 kg



OPTIONAL

Model	Art.no.	Capacity	Info-top	Colour	Total W x H	Package Size	- weight	Pallet size	- quantity
800	3301	29,7 x 21 cm	A4 horizontal	Alu/Transparent	30,5 x 97,2 cm	28 x 88 x 14 cm	3,5 kg	80 x 120 x 220 cm	40 pcs.
800	3302	21 x 29,7 cm	A4 vertical	Alu/Transparent	22 x 100,2 cm	28 x 88 x 14 cm	3,5 kg	80 x 120 x 220 cm	40 pcs.