



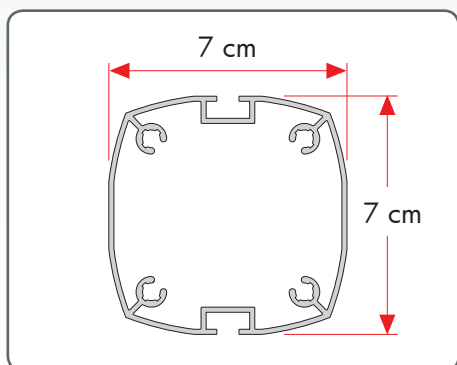
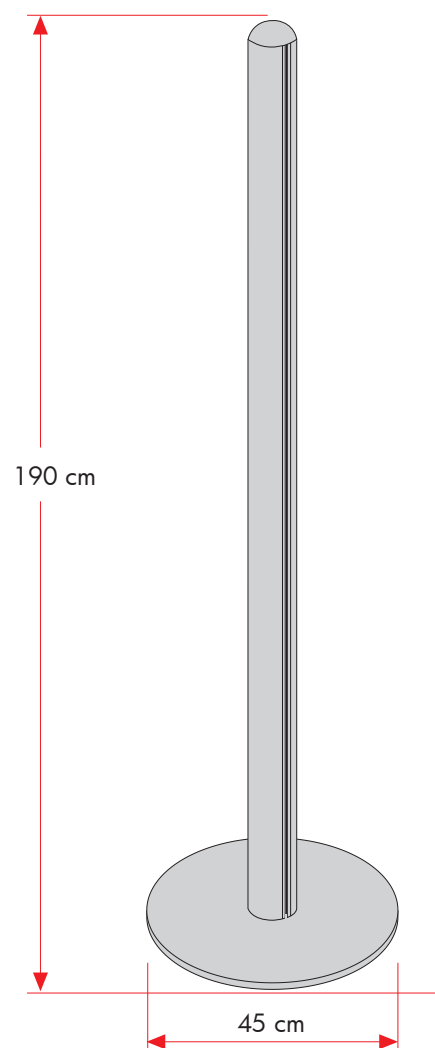
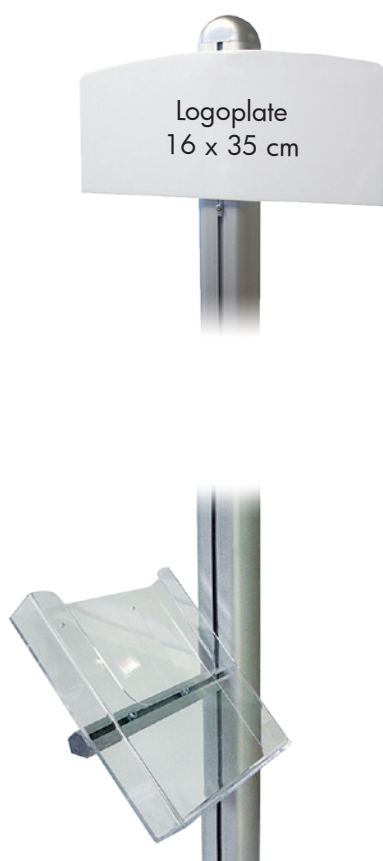
## TECHNICAL GUIDE



**GB** Anodized aluminium stand with 8 pcs. A4 polycarbonate brochure holders and logo plate (16 x 45 cm). For indoor use.

**DE** Eloxiertes Aluminium Ständer mit 8 Stück A4 Polycarbonat Prospekthalter und Logoplatte (16 x 45 cm). Für den Innenbereich.

**DK** Eloxeret aluminiumsstander med 8 stk. A4 polycarbonat brochureholdere og logo-plade i top (16 x 45 cm). Til indendørs brug.



8 pcs. of M65, A5 or A4 acrylic brochure holders



Model	Art.no.	Size / Capacity	Colour	Logoplate	Weight	Pallet size	- quantity
920	2872	8 x M65	Alu / Acryl	16 x 45 cm	22 kg	80 x 120 x 220 cm	20 pcs.
920	2873	8 x A5	Alu / Acryl	16 x 45 cm	25 kg	80 x 120 x 220 cm	20 pcs.
920	2874	8 x A4	Alu / Acryl	16 x 45 cm	28 kg	80 x 120 x 220 cm	20 pcs.