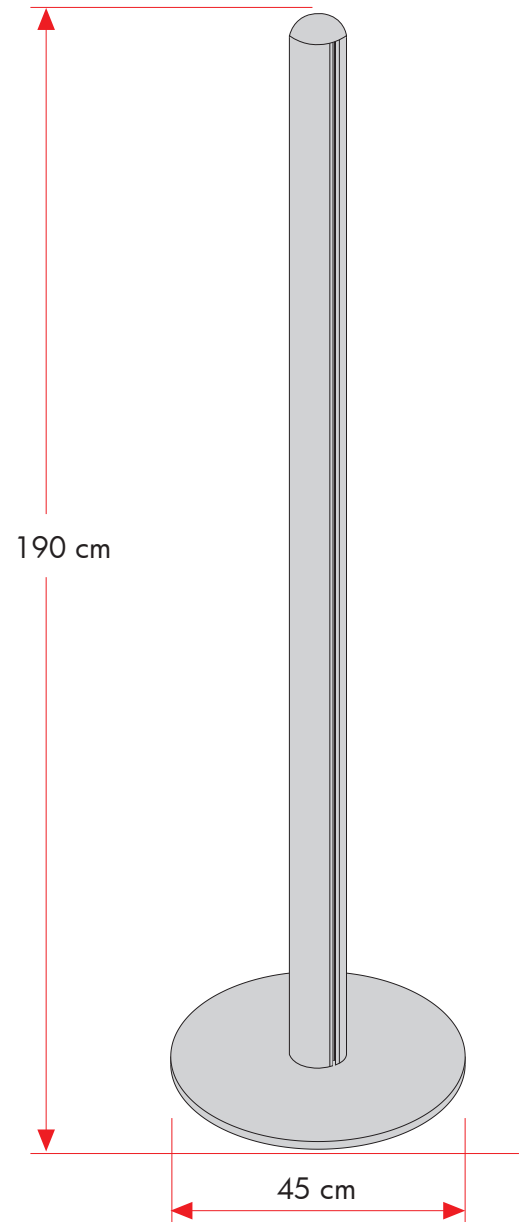
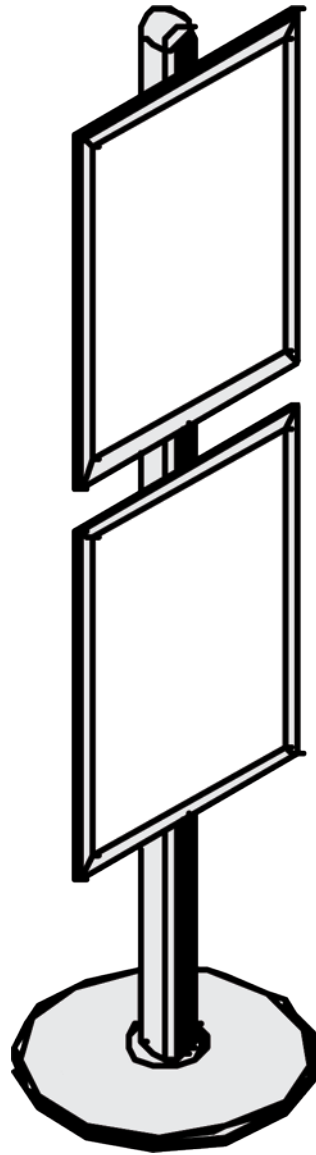




TECHNICAL GUIDE



GB Singlesided aluminium stand with 2 pcs. 25 mm Alu Snap-Frames. For indoor use.

DE Einseitig Aluminium Ständer mit 2 Stück 25 mm Alu Snap-Frames. Für den Innenbereich.

DK Enkelt-sided aluminium stand monteret med 2 stk. 25 mm alu Snap-Frames. Til indendørs brug.



Model	Art.no.	Poster size	Colour	Total W x H	Foot	Package Size	- weight	Pallet size	- quantity
911	2996	50 x 70 cm	Alu	52,9 x 190 cm	45 cm	8 x 195 x 9 + 47 x 47 x 5 + 56 x 76 x 12 cm	16 kg	80 x 120 x 220 cm	30 pcs.
911	2997	60 x 85 cm	Alu	62,3 x 190 cm	45 cm	8 x 195 x 9 & 47 x 47 x 5 & 66 x 91 x 12 cm	19 kg	80 x 120 x 220 cm	30 pcs.