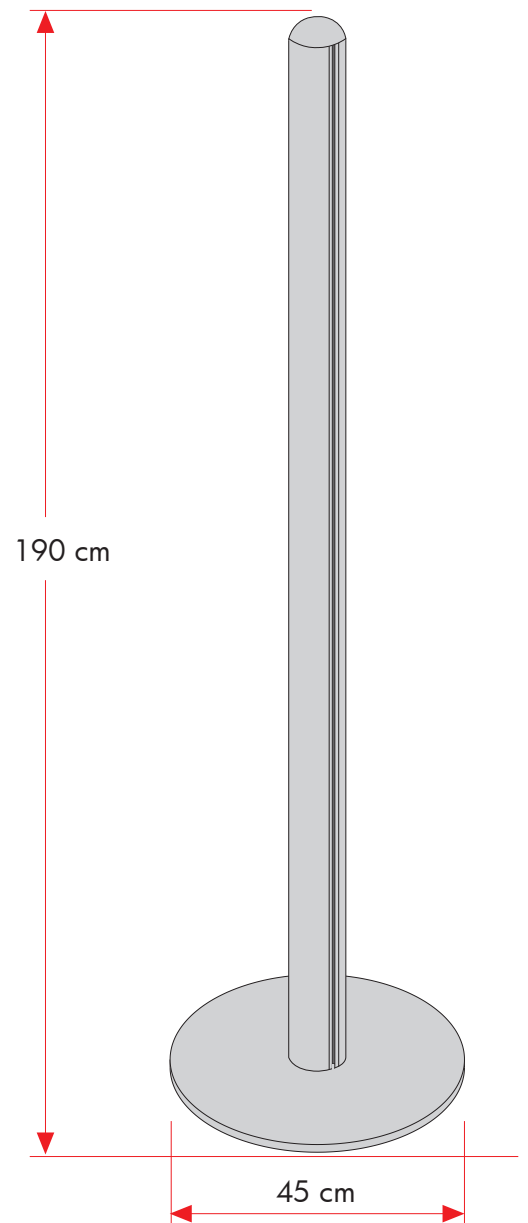
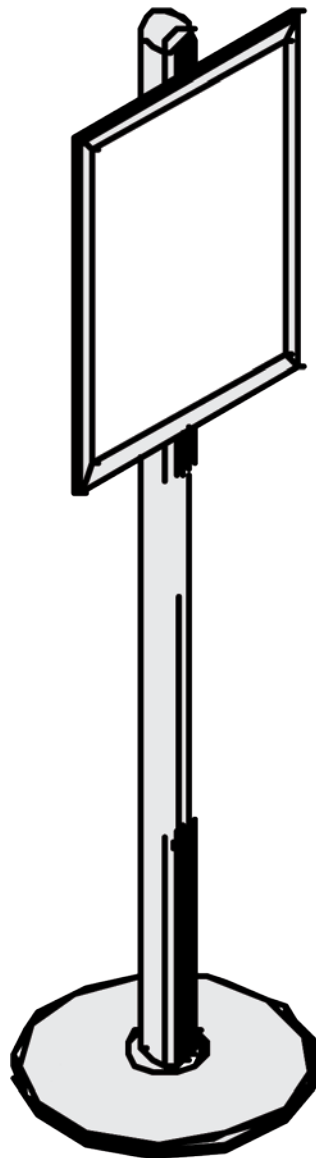




TECHNICAL GUIDE



GB Singlesided aluminium stand with 1 pc. 25 mm Alu Snap-Frame. For indoor use.

DE Einseitiger Aluminium Ständer mit 1 Stück 25 mm Alu Snap-Fram. Für den Innenbereich.

DK Enkelt-sided aluminium stand monteret med 1 stk. 25 mm alu Snap-Fram. Til indendørs brug.



Model	Art.no.	Poster size	Colour	Total W x H	Foot	Package Size	- weight	Pallet size	- quantity
909	2990	50 x 70 cm	Alu	52,9 x 190 cm	Ø 45 cm	8 x 195 x 9 & 47 x 47 x 5 & 56 x 76 x 8 cm	15 kg	80 x 120 x 220 cm	30 pcs.
909	2991	60 x 85 cm	Alu	62,3 x 190 cm	Ø 45 cm	8 x 195 x 9 & 47 x 47 x 5 & 66 x 91 x 8 cm	16 kg	80 x 120 x 220 cm	30 pcs.
909	2992	70 x 100 cm	Alu	72,9 x 190 cm	Ø 45 cm	8 x 195 x 9 & 47 x 47 x 5 & 76 x 106 x 8 cm	17 kg	80 x 120 x 220 cm	30 pcs.