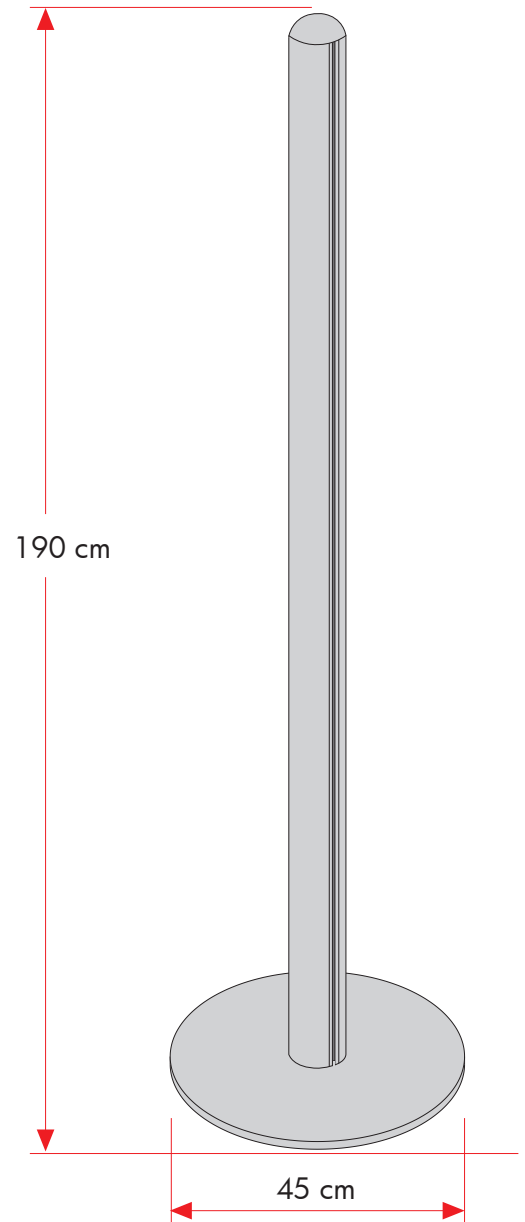
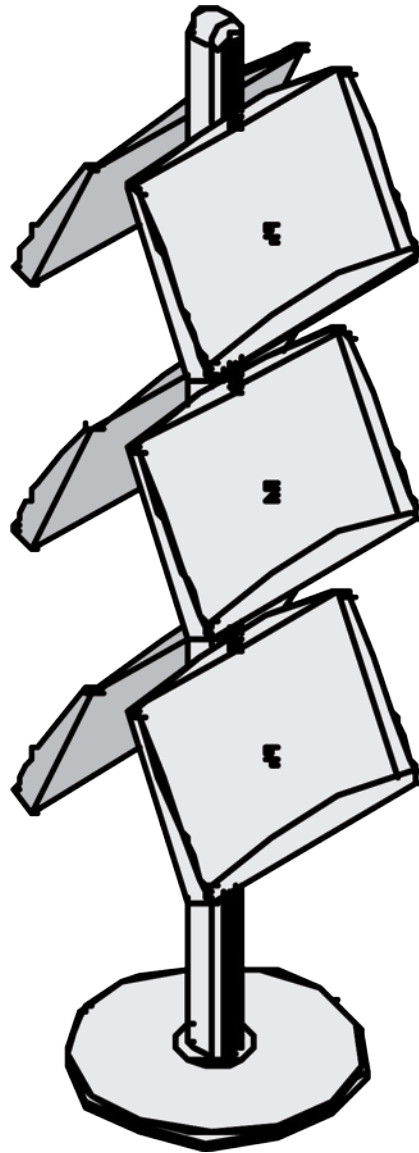




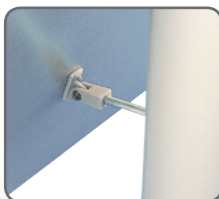
TECHNICAL GUIDE



GB Doublesided aluminium stand with 6 pcs. 2 x A4 brochure holders made of steel or acrylic. For indoor use.

DE Doppelseitiger Aluminium Ständer mit 6 Stück 2 x A4 Prospekthalter aus Stahl oder Akryl. Für den Innenbereich.

DK Dobbeltsidet aluminium stander monteret med 6 stk. 2 x A4 brochureholdere i stål eller akryl. Til indendørs brug.



| Model | Art.no. | Poster size | Colour | Total W x H | Foot | Package Size | - weight | Pallet size | - quantity |
|-------|---------|-------------|--------|-------------|-------|---|----------|-------------------|------------|
| 906 | 2960 | A3 | Alu | 47 x 190 cm | 45 cm | 8 x 195 x 9 + 47 x 47 x 5 + 36 x 47 x 12 cm | 24 kg | 80 x 120 x 220 cm | 30 pcs. |
| 906 | 2961 | A3 | Acryl | 47 x 190 cm | 45 cm | 8 x 195 x 9 + 47 x 47 x 5 + 36 x 47 x 36 cm | 19 kg | 80 x 120 x 220 cm | 30 pcs. |