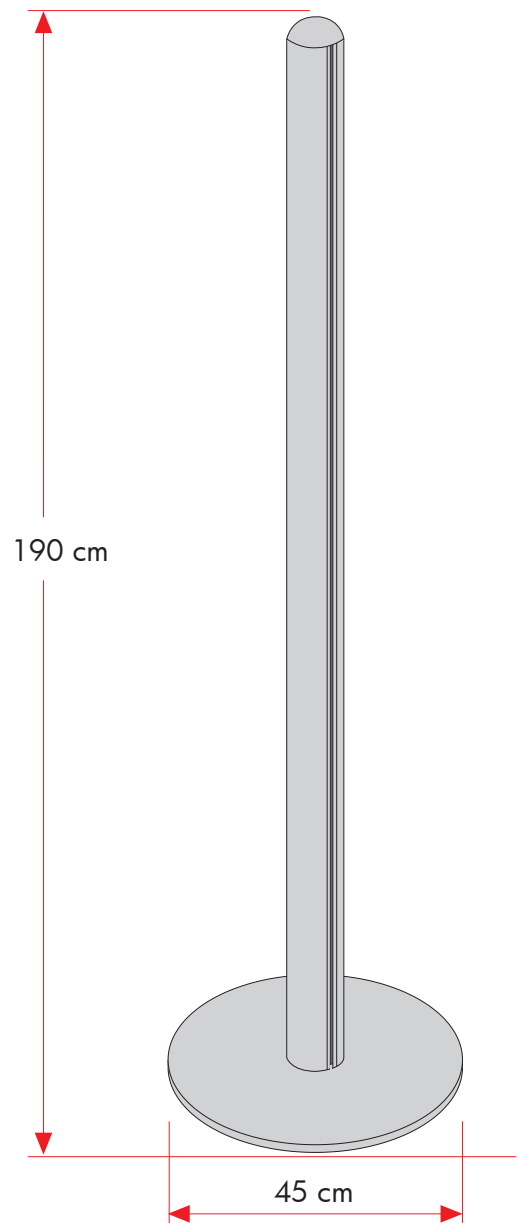
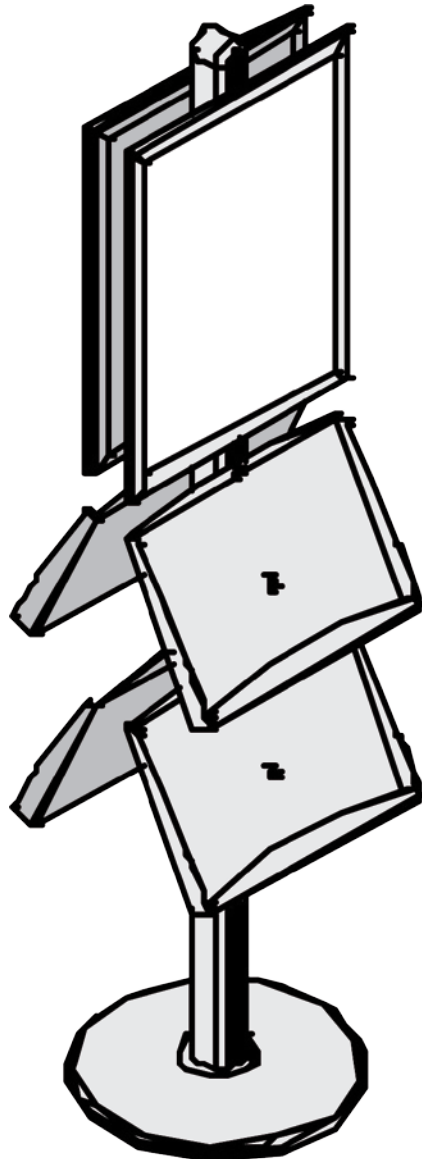




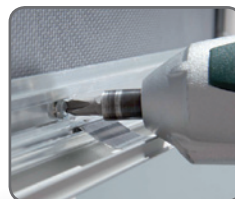
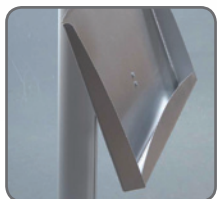
TECHNICAL GUIDE



GB Doublesided aluminium stand with 2 pcs. 25 mm Alu Snap-Frame and 4 pcs. 2 x A4 brochure holders made of steel or acrylic. For indoor use.

DE Doppelseitiger Aluminium Ständer mit 2 Stück 25 mm Alu Snap-Frame sowie 4 Stck. 2 x A4 Prospekthalter aus Stahl oder Akryl. Für den Innenbereich.

DK Dobbeltsidet aluminium stander monteret med 2 stk. 25 mm Snap-Frames samt 4 stk. 2 x A4 brochureholder i stål eller acryl. Til indendørs brug.



Model	Art.no.	Poster size	Colour	Total W x H	Foot	Package Size	- weight	Pallet size	- quantity
904	2940	50 x 70 cm	Alu	52,9 x 190 cm	45 cm	8 x 195 x 9 + 47 x 47 x 5 + 56 x 76 x 15 cm	17 kg	80 x 120 x 220 cm	30 pcs.
904	2941	60 x 85 cm	Alu	62,3 x 190 cm	45 cm	8 x 195 x 9 + 47 x 47 x 5 + 66 x 91 x 15 cm	18 kg	80 x 120 x 220 cm	30 pcs.
904	2942	70 x 100 cm	Alu	72,9 x 190 cm	45 cm	8 x 195 x 9 + 47 x 47 x 5 + 76 x 106 x 15 cm	19 kg	80 x 120 x 220 cm	30 pcs.
904	2943	50 x 70 cm	Acryl	52,9 x 190 cm	45 cm	8 x 195 x 9 + 47 x 47 x 5 + 56 x 76 x 15 cm	16 kg	80 x 120 x 220 cm	30 pcs.
904	2944	60 x 85 cm	Acryl	62,3 x 190 cm	45 cm	8 x 195 x 9 + 47 x 47 x 5 + 66 x 91 x 15 cm	17 kg	80 x 120 x 220 cm	30 pcs.
904	2945	70 x 100 cm	Acryl	72,9 x 190 cm	45 cm	8 x 195 x 9 + 47 x 47 x 5 + 76 x 106 x 15 cm	18 kg	80 x 120 x 220 cm	30 pcs.