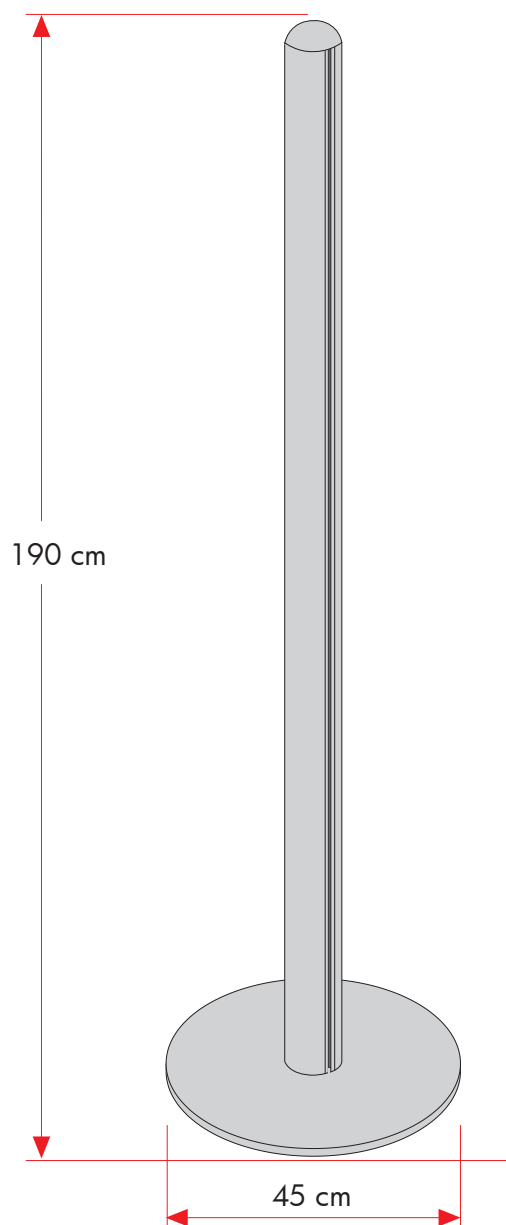
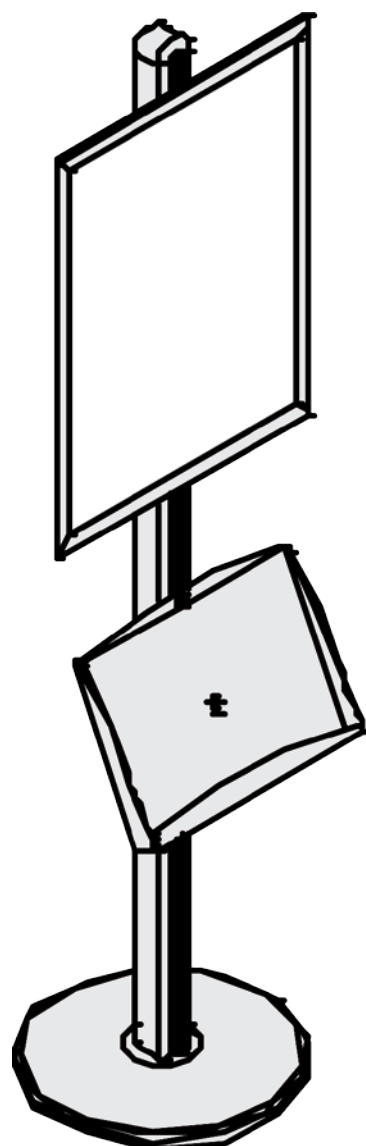




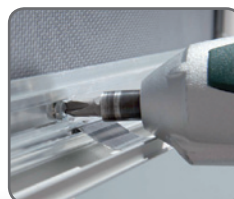
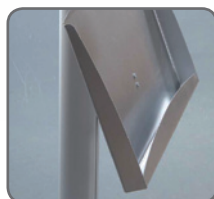
## TECHNICAL GUIDE



**GB** Singlesided aluminium stand with 1 pc. 25 mm Alu Snap-Frame and 1 pc. 2 x A4 brochure holders made of steel or acrylic. For indoor use.

**DE** Einseitiger Aluminium Ständer mit 1 Stück 25 mm Alu Snap-Frame sowie 1 Stück 2 x A4 Prospekthalter aus Stahl oder Akryl. Für den Innenbereich.

**DK** Enkelt-sided aluminium stand monteret med 1 stk 25 mm alu Snap-Frame samt 1 stk. 2 x A4 brochureholder i stål eller acryl. Til indendørs brug.



Model	Art.no.	Poster size	Colour	Total W x H	Foot	Package Size	- weight	Pallet size	- quantity
901	2910	50 x 70 cm	Alu	52,9 x 190 cm	45 cm	8x195x9 + 47x47x5 + 56x76 x15 cm	17 kg	80 x 120 x 220 cm	30 pcs.
901	2911	60 x 85 cm	Alu	62,3 x 190 cm	45 cm	8x195x9 + 47x47x5 + 66x91x15 cm	18 kg	80 x 120 x 220 cm	30 pcs.
901	2912	70 x 100 cm	Alu	72,9 x 190cm	45 cm	8x195x9 + 47x47x5 + 76x106x15 cm	19 kg	80 x 120 x 220 cm	30 pcs.
901	2913	50 x 70 cm	Acryl	52,9 x 190 cm	45 cm	8x195x9 + 47x47x5 + 56x76x15 cm	16 kg	80 x 120 x 220 cm	30 pcs.
901	2914	60 x 85 cm	Acryl	62,3 x 190 cm	45 cm	8x195x9 + 47x47x5 + 66x91x15 cm	17 kg	80 x 120 x 220 cm	30 pcs.
901	2915	70 x 100 cm	Acryl	72,9 x 190 cm	45 cm	8x195x9 + 47x47x5 + 76x106x15 cm	18 kg	80 x 120 x 220 cm	30 pcs.